

Off-Set Base Plate Connector Clamps

Aluminum, Split Assembly

SPECIFICATION

Identification no.

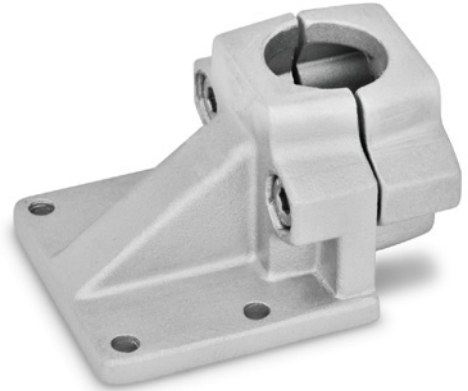
No. **2**: With 2 stainless steel socket cap screws DIN 912

Aluminum

- Powder coated
Black, RAL 9005, textured finish **SW**
- Plain finish, matte shot-blasted **BL**

Socket cap screws DIN 912
Stainless steel AISI 304

Hex nuts DIN 985
Stainless steel AISI 304
Self-locking via polyamide ring



INFORMATION

The clamping bore of off-set base plate connector clamps GN 166 is not machined and designed for construction tubes GN 990 (see page 1902) or DIN 2391, DIN 2395 and DIN 2462.

The versions with square bores are also suitable for use with **profile systems**.

At the screw locations **z** the socket cap screws reduce the bore cross-section for clamping.

For clamping without tools, the socket cap screws can be replaced by the adjustable hand levers GN 911 (see page 1874) listed in the table as accessories.

ACCESSORY

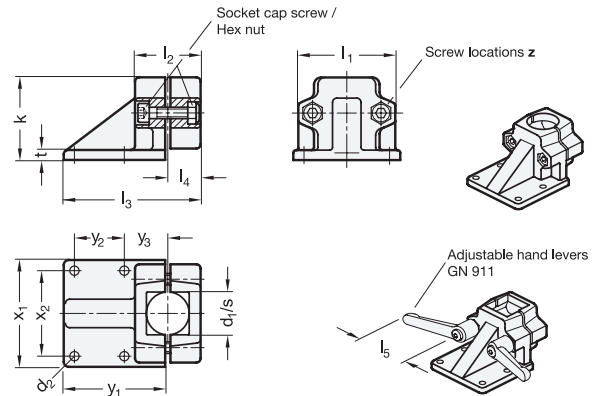
- Construction Tubes GN 990 (see page 1902)
- Adjustable Hand Levers GN 911 (see page 1874)

TECHNICAL INFORMATION

- Stainless Steel Characteristics (see page A26)

* Complete with

SW RAL9005 Plain **BL**



GN 166-B

Description	d1 Bore	d2	k Clamping length	l1	l2	l3	l4	t	x1	x2	y1	y2	y3	z Screw locations	Accessory Recom. hand lever GN 911 for z l5	⚖️
GN 166-B20-2-*	B 20	7	58	69	46	96	23	7	75	60	72	35	30	M8-35	63 78	297
GN 166-B25-2-*	B 25	7	58	69	46	96	23	7	75	60	72	35	30	M8-35	63 78	291
GN 166-B30-2-*	B 30	7	58	69	46	96	23	7	75	60	72	35	30	M8-35	63 78	286
GN 166-B40-2-*	B 40	11	91	98	70	145	35	14	115	90	108	50	45	M10-60	78 92	870
GN 166-B42-2-*	B 42	11	91	98	70	145	35	14	115	90	108	50	45	M10-60	78 92	850
GN 166-B45-2-*	B 45	11	91	98	70	145	35	14	115	90	108	50	45	M10-60	78 92	840
GN 166-B48-2-*	B 48	11	91	98	70	145	35	14	115	90	108	50	45	M10-60	78 92	830
GN 166-B50-2-*	B 50	11	91	98	70	145	35	14	115	90	108	50	45	M10-60	78 92	815
GN 166-B60-2-*	B 60	11	100	108.5	83	172	42	14	125	100	128	52	65.5	M10-70	-	805

GN 166-S

Description	S Square	d2	k Clamping length	l1	l2	l3	l4	t	x1	x2	y1	y2	y3	z Screw locations	Accessory Recom. hand lever GN 911 for z l5	⚖️
GN 166-V20-2-*	V 20	7	58	69	46	96	23	7	75	60	72	35	30	M8-35	63 78	290
GN 166-V25-2-*	V 25	7	58	69	46	96	23	7	75	60	72	35	30	M8-35	63 78	250
GN 166-V30-2-*	V 30	7	58	69	46	96	23	7	75	60	72	35	30	M8-35	63 78	190
GN 166-V40-2-*	V 40	11	91	98	70	145	35	14	115	90	108	50	45	M10-60	78 92	900
GN 166-V45-2-*	V 45	11	91	98	70	145	35	14	115	90	108	50	45	M10-60	78 92	815
GN 166-V50-2-*	V 50	11	91	98	70	145	35	14	115	90	108	50	45	M10-60	78 92	776
GN 166-V60-2-*	V 60	11	100	108.5	83	172	42	14	125	100	128	52	65.5	M10-70	-	745

Weight SW